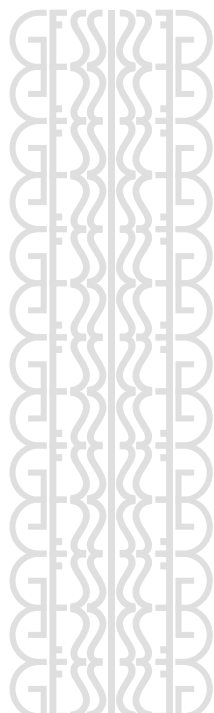


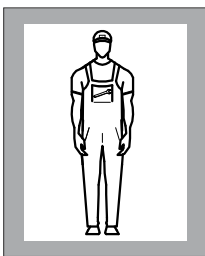
GESI[®]



TECHNOLOGY
FOR THE KITCHEN




Gessi SpA
Parco Gessi 13037 Serravalle Sesia (Vercelli) - Italy
Phone +39 0163 454111 - Fax +39 0163 459273
www.gessi.com - gessi@gessi.it

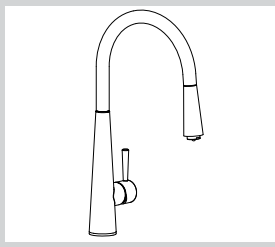
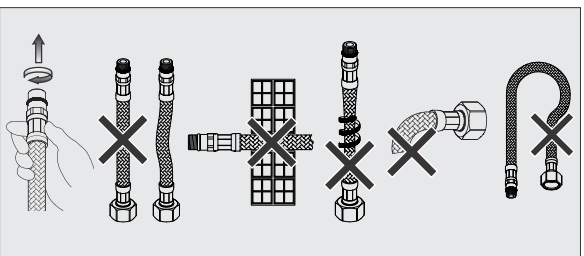




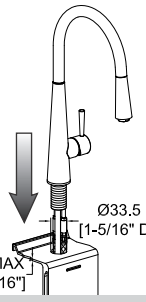


Max 70° Celsius
Max 158° Fahrenheit
5° - 60° Celsius
41° - 140° Fahrenheit

3 bar
43 psi


Max 5 bar
Max 72 psi



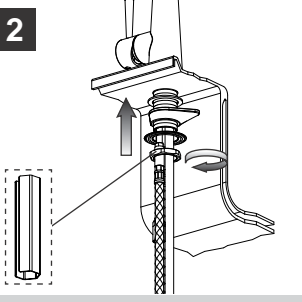
1



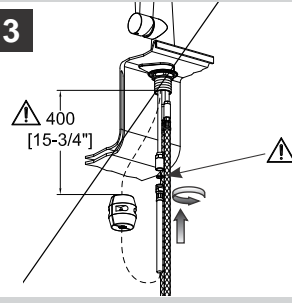
Ø33.5
[1-5/16" D.]

40 MAX
[1-9/16"]

2

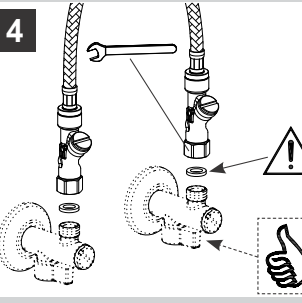




3



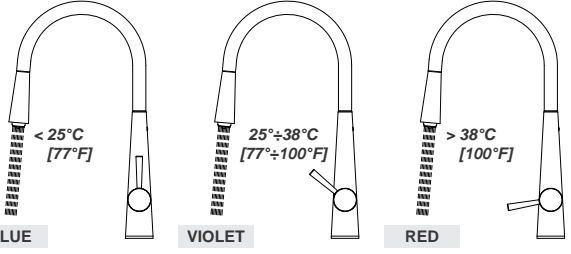
400
[15-3/4"]

4



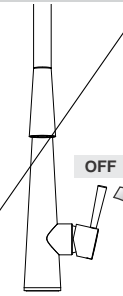



5



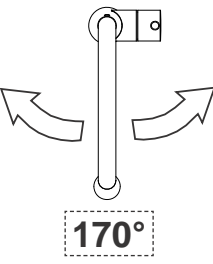
BLUE < 25°C [77°F]
VIOLET 25°±38°C [77°±100°F]
RED > 38°C [100°F]

6

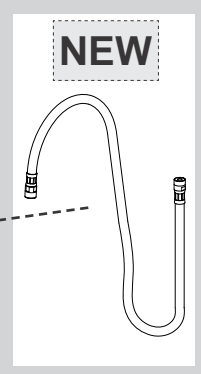
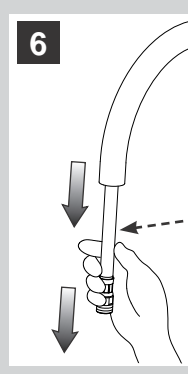
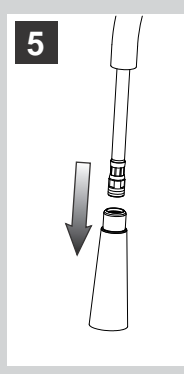
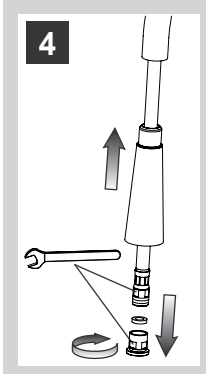
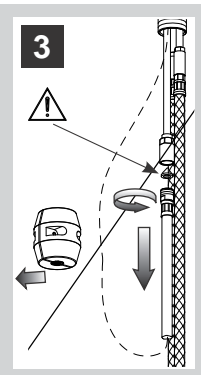
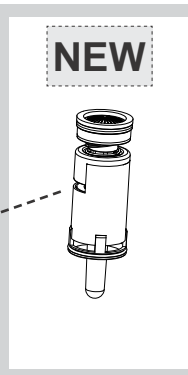
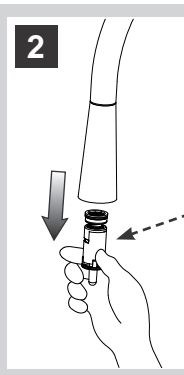
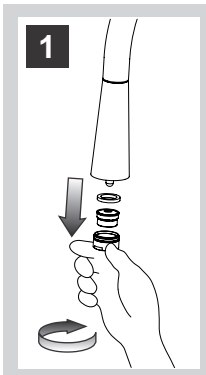
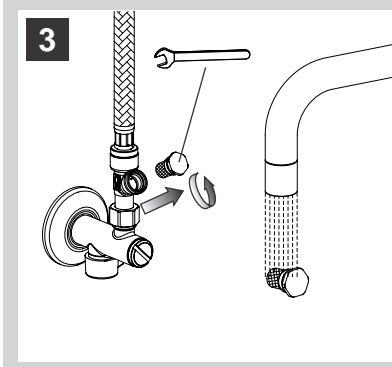
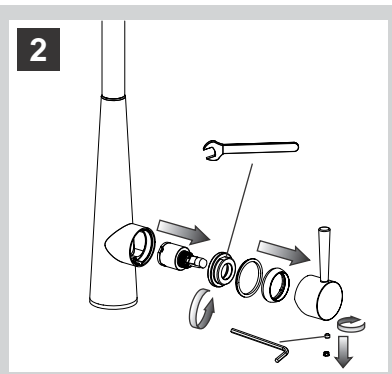
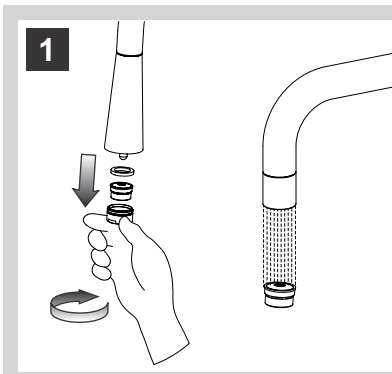
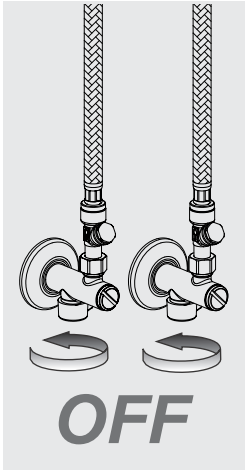
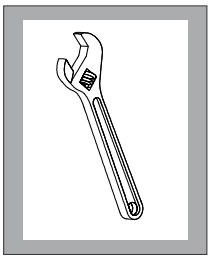


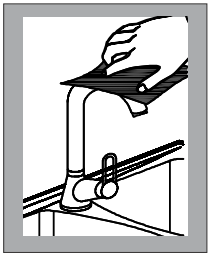
OFF
ON

7

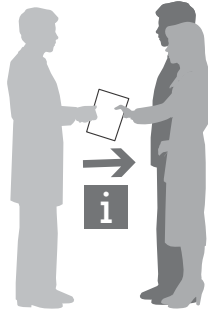


170°





1



2



3

