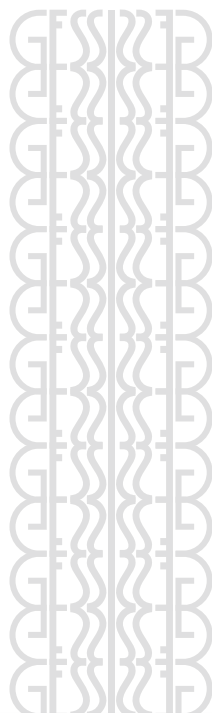


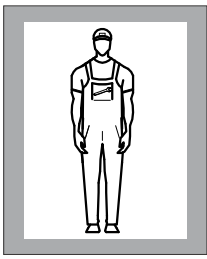
GESSI[®]



TECHNOLOGY
FOR THE KITCHEN




Gessi SpA
Parco Gessi 13037 Serravalle Sesia (Vercelli) - Italy
Phone +39 0163 454111 - Fax +39 0163 459273
www.gessi.com - gessi@gessi.it

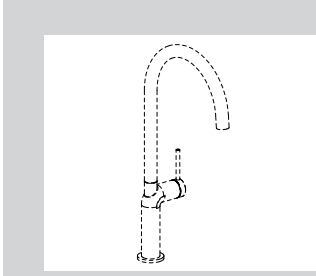
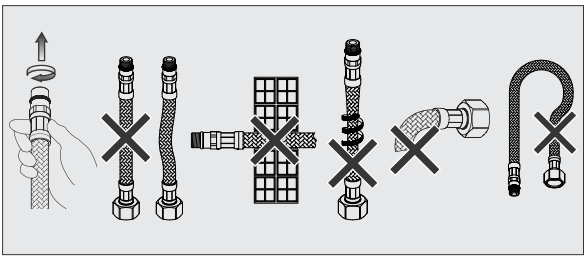




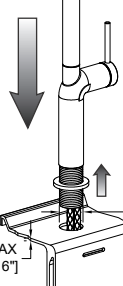


Max 70° Celsius
Max 158° Fahrenheit
5° - 60° Celsius
41° - 140° Fahrenheit

3 bar
43 psi


Max 5 bar
Max 72 psi

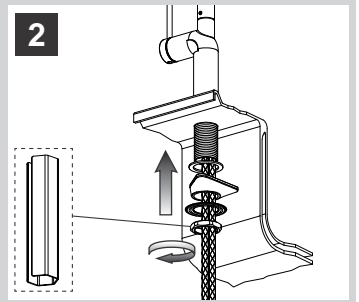


1



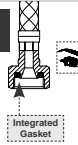
40 MAX [1-9/16"]

Ø35 [1-3/8"D.]

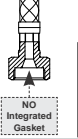


3

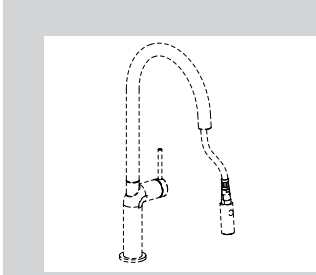
Case 1



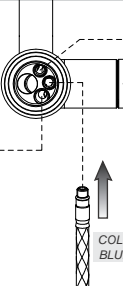
Integrated Gasket



NO Integrated Gasket



1

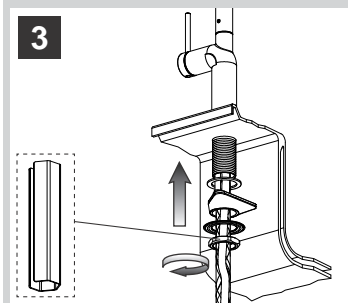
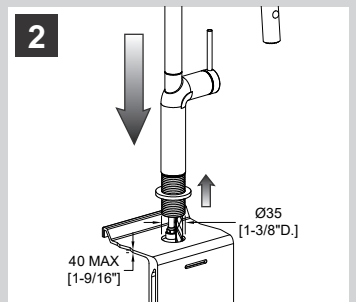


40 MAX [1-9/16"]

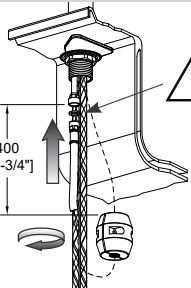
Ø35 [1-3/8"D.]

HOT RED

COLD BLUE



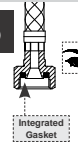
4



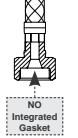
400 [15-3/4"]

5

Case 1



Integrated Gasket



NO Integrated Gasket

