

**F41JPS20XX** Range Satin steel

Tilting mirror with safety glass

Supported by a steel panel fixed to the mirror with two stainless steel brackets.

Wall mounting by means of a steel bracket with controlled resistance friction system for tilt.

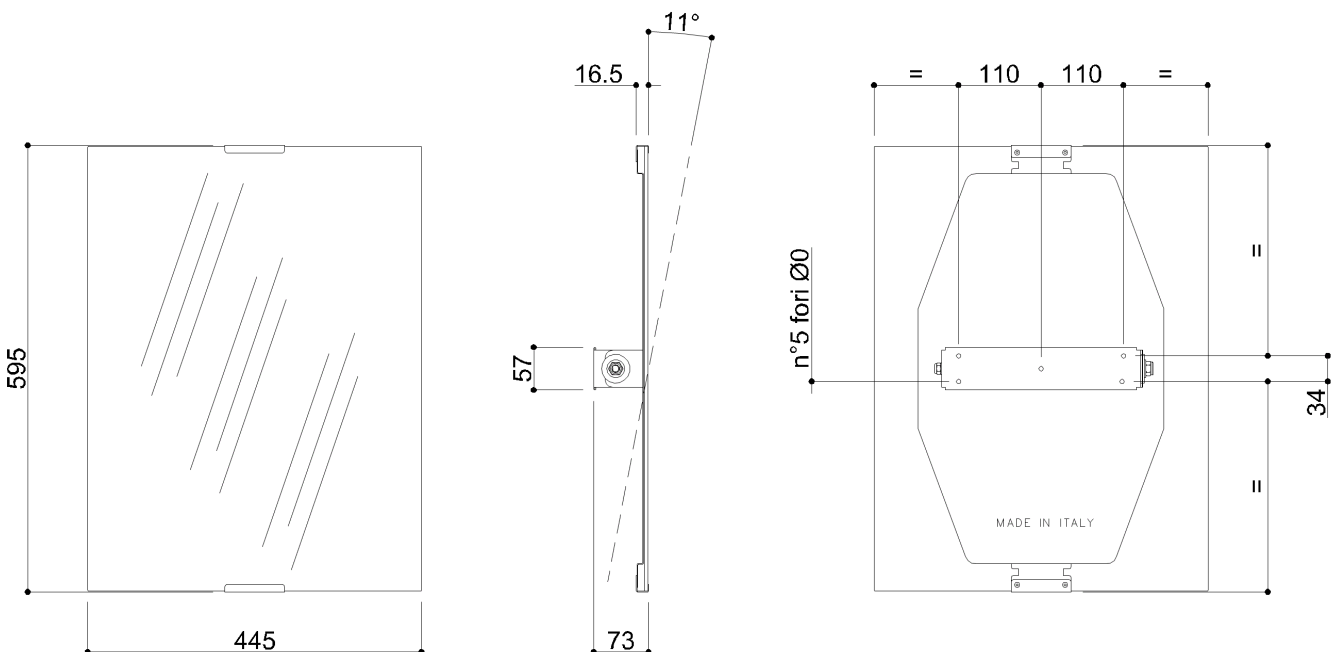
- Safety glass, 5 mm thickness
- Round polished external edge
- Wall fixing by means of a steel bracket
- Tilting mirror up to 8 degrees
- Tilt resistance controlled by means of a friction mechanism
- Support with panel in galvanised steel

**Physical data**

445x73x595  
7

**Delivery methods**

Package Cardboard package  
570x135x720  
7,7



## **F41JPS20XX** *Range* Satin steel

### Available colors

---



### Materials and finishes

---

Glass	N/A
Stainless steel	Satin
Steel	Rough

### Safety tips

---

Before installing and using the device, read the instructions for use and especially the safety warnings carefully and follow them.  
If in doubt, contact the company before using the device.

### Information on use

---

The device is not affected by the room's temperature, though it must NOT be installed in environments subject to temperatures below 4°C or above 40°C.

Do not install in saunas. Not comply with the indicated temperatures may damage the plastic coating of the device.

### Warranty

---

If this product fails due to a defect in material or workmanship during the time of periods listed below for each product, Ponte Giulio will replace or repair it free of charge. .

Warranty 2 YEARS