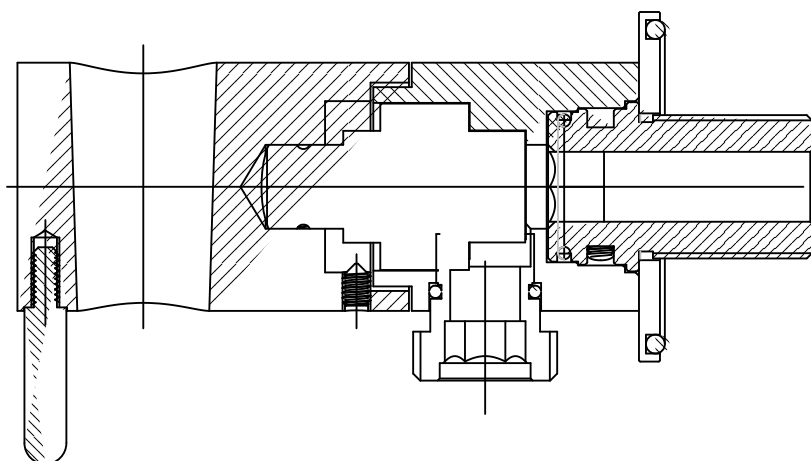
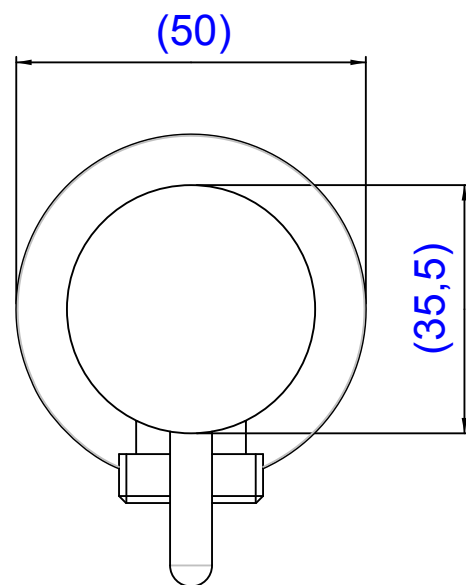
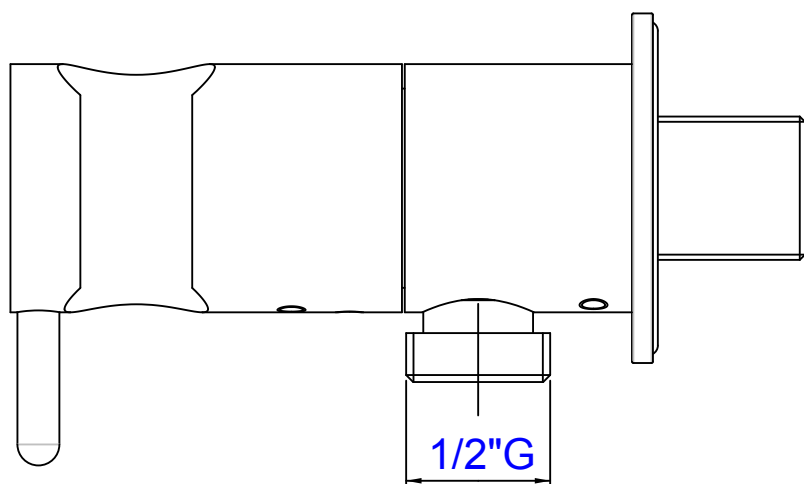
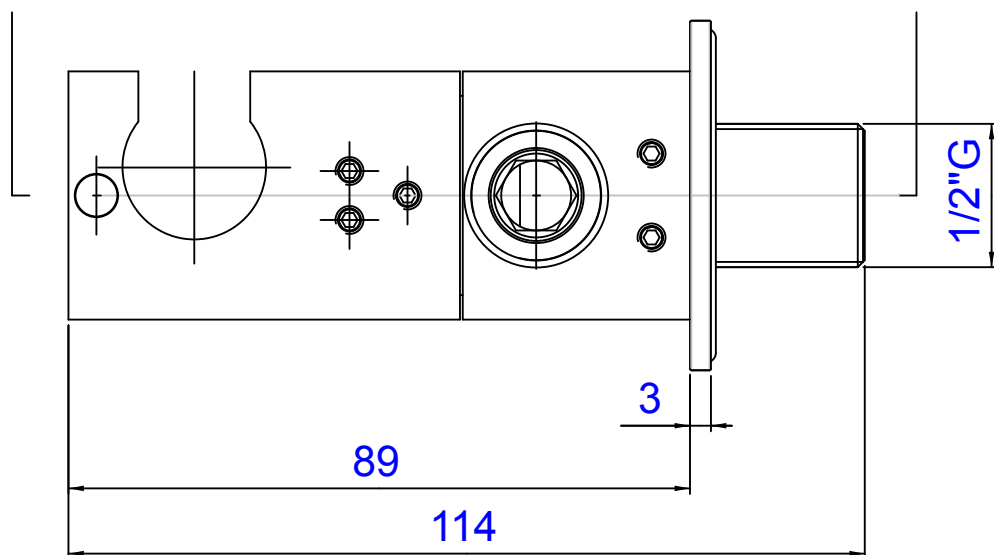
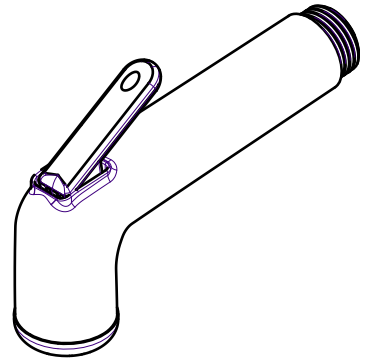
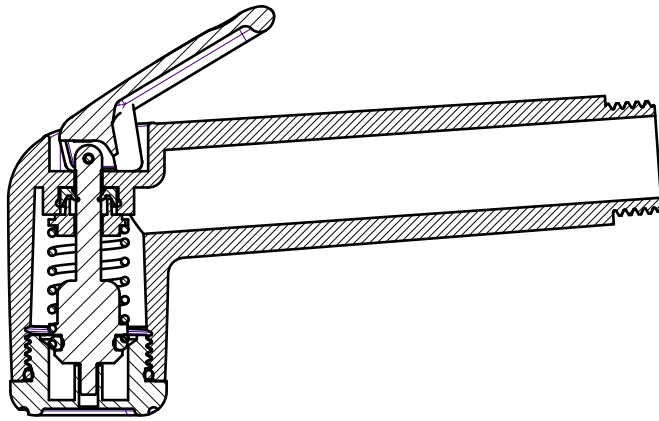


# E136004



SHOWER  
SYSTEMS





PART. SCALA 2:3

